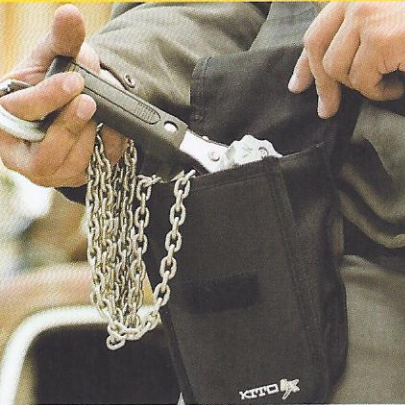




Lever Hoist LX Model

250 kg and 500 kg

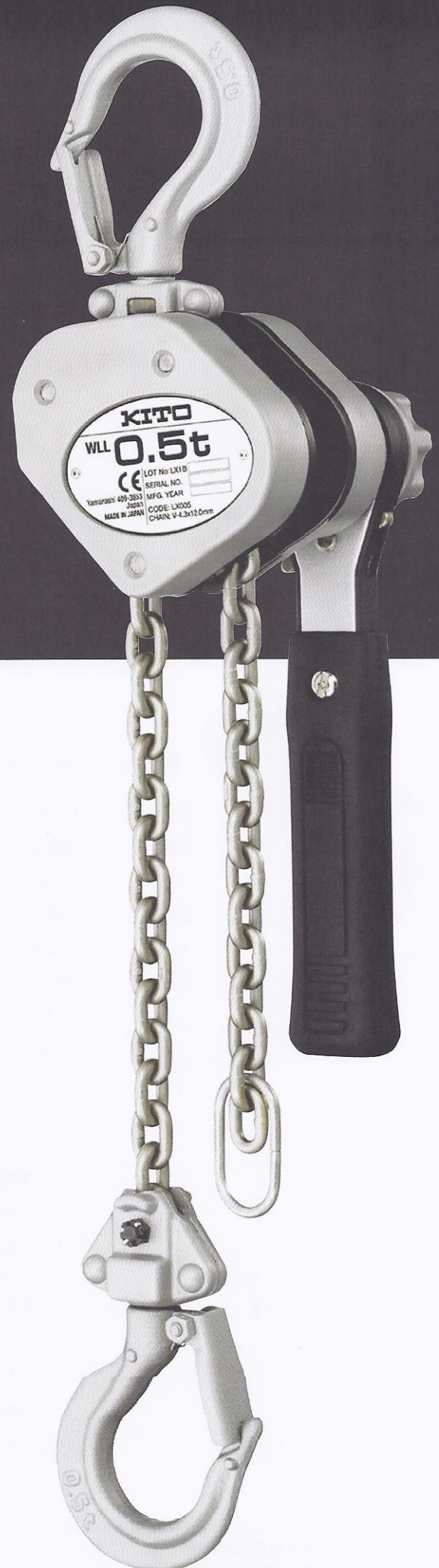
The Small One
for work in tight
quarters



- > **Aluminium body**
extremely lightweight
and compact, only
1,7 kg net weight
(LX003)
- > **Safetyguards**
against accidental
freewheeling under
load
- > **Effortless handling**
smooth geared
mechanism, 2 mm
lift per click
- > **Short lever**
only 150 mm (LX003)

Made in Japan!

www.kito.net



Kito Europe GmbH
 Heerdter Lohweg 93
 D-40549 Düsseldorf
 Tel. + 49 (0) 211 - 52 80 09 - 0
 Fax + 49 (0) 211 - 52 80 09 - 59
 info@kito.net
 www.kito.net

KITO HEBEZEUGE

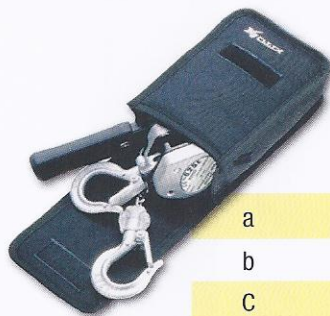
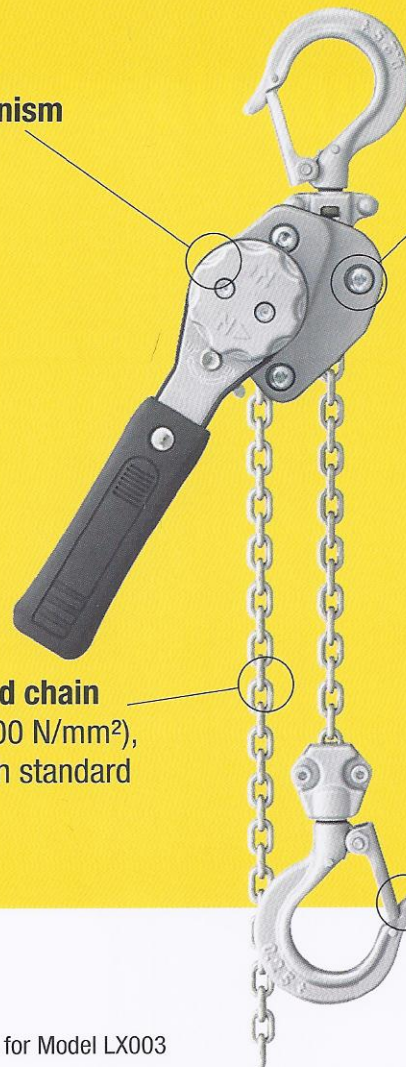
Mit Sicherheit das Original

**Freewheel chain
 adjusting mechanism**

Easy to maintain
 Corrosion resistant
 and long-lasting

Nickel plated load chain
 grade 100 (V) (1000 N/mm²),
 in accordance with standard
 EN 818-7

Hook latch with safety tip

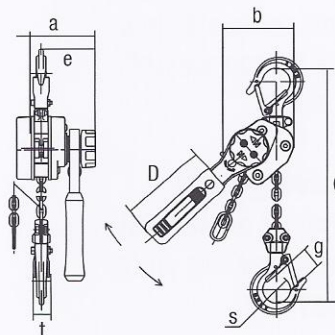


Options: Carrying case for Model LX003

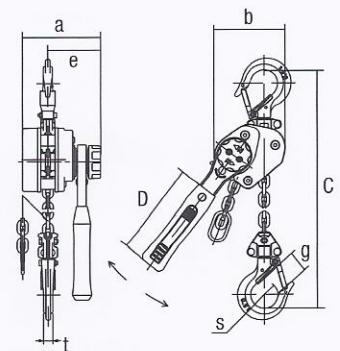
Dimensions
(mm)

	LX003	LX005
a	90,5	102,0
b	73,5	93,0
C	205,0	246,0
D	150,0	180,0
e	62,0	68,0
g	21,0	24,5
s	32,0	35,5
t	11,0	12,0

LX003



LX005



Technical data

Type	LX003	LX005
Capacity, kg	250	500
Standard lift, m	1,5	1,5
Hand pull to lift full load, daN	20	31
Load chain diameter, mm	3,2 x 9,0	4,3 x 12,0
Chain fall	1	1
Net weight, kg	1,7	2,7
Test weight, kg	380	750
Weight for additional 1 m lift, kg	0,2	0,4

Disclaimer:

KITO does not assume liability for inappropriate usage of products.
 Operating instructions must be followed at all times.
 Subject to technical change, misprint and errors.

Contact

Kito Europe GmbH / Heerdter Lohweg 93 / D-40549 Düsseldorf
 Tel. +49 (0) 211 / 52 80 09 - 0 / Fax +49 (0) 211 / 52 80 09 - 59
 info@kito.net / www.kito.net